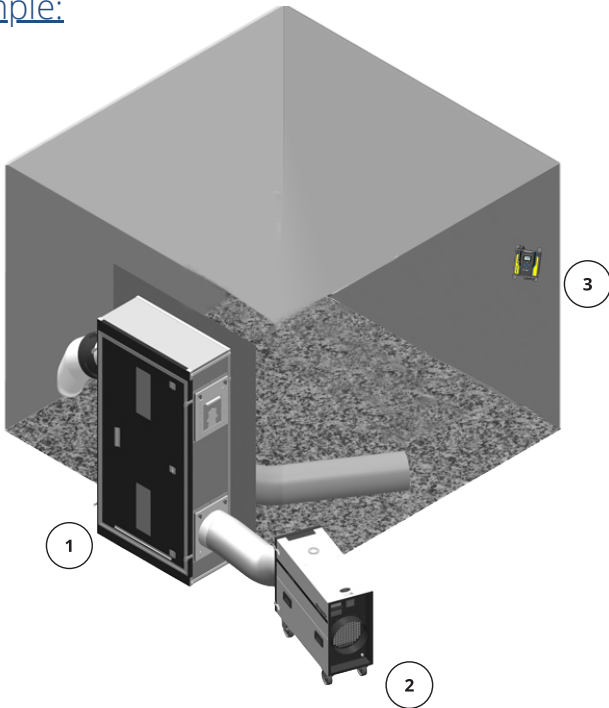




Isolation Controls For Construction

Market - leading controls sourced by our trusted partners to control, contain and mitigate hazards on site. Linked through Trieste's NeXtrack platform.

Example:



2 NPU s200



- Energy-efficient and performance-optimized fan with high capacity
- Smooth and easy-to-decontaminate housing
- Light and sturdy housing
- Threefold sealed HEPA filter
- Easy, very low-emission filter change in 3 minutes
- Automatic soft start, even after power failure
- All operating control and functional elements are shock-protected

1 SMART Door



- Lightweight and easy to transport
- Flexible and suitable for all common standard doors
- Quick assembly and connection in approx. 5 mins, without the need for tools
- Self-closing door with self-closing air supply flaps
- Flexible connection flange

3 TX8005.00 Air XD



- Real-time continuous measurement of atmospheric dust concentration
- High-reliability, low-maintenance for high-dust environments
- High capacity Optical Particulate Counter (OPC)
- Industry Standard sizing PM1.0, PM2.5, PM4.25 and PM10
- Low-end resolution, measuring down to 0.35µm with 99.9% capture